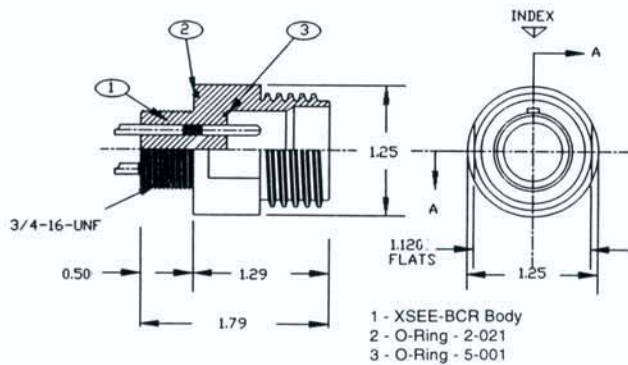


XSEE SERIES

SUPERCEDES THE XSE SERIES, BUT IS NOT INTERMATABLE

XSEE -BCR



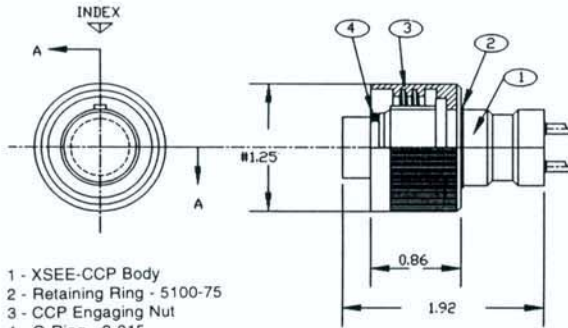
- 1 - XSEE-BCR Body
- 2 - O-Ring - 2-021
- 3 - O-Ring - 5-001

NOTES

- 1 BODY: GLASS REINFORCED EPOXY 8/A XS-2748
- 2 CONTACTS: COPPER ALLLOY AND GOLD PLATED PER MIL-G-45204
- 3 SEE XSEE FACE VIEW FOR CONTACT CONFIGURATIONS
- 4 O-RING: BUNA-N, 70 DUROMETER
- 5 MATING CONNECTOR: XSEE-CCP
- 6 SPECIFICATIONS:
 PRESSURE: 10,000 PSI MATED (OPEN FACE OPTIONAL)
 TEMPERATURE: -57° C TO +93° C (-70° F TO +200° F)
 VOLTAGE: VARIES ACCORDING TO FACE CONFIGURATION (SEE TABLE)
 MOUNTING TORQUE - 75 INCH LBS

Connectors	Volts DC
XSEE-C	1000
XSEE-1	1000
XSEE-2	800
XSEE-3	700
XSEE-4	600
XSEE-6	500
XSEE-7	500
XSEE-8	400
XSEE-10	300
XSEE-12	250

XSEE -CCP

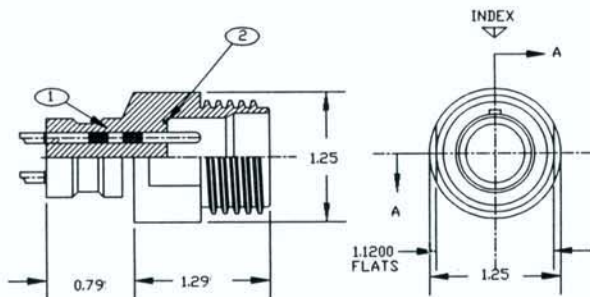


- 1 - XSEE-CCP Body
- 2 - Retaining Ring - 5100-75
- 3 - CCP Engaging Nut
- 4 - O-Ring - 2-015

NOTES

- 1 BODY: GLASS REINFORCED EPOXY 8/A XS-2748
- 2 RETAINING RING: PH 15-7 MO. OR EQUIVALENT SST.
- 3 ENGAGING NUT: BLACK DELRIN
- 4 O-RING: BUNA-N, 70 DUROMETER
- 5 CONTACTS: COPPER ALLOY AND GOLD PLATED PER MIL-G-45204
- 6 MATING CONNECTOR: XSEE-.....
- 7 SPECIFICATIONS:
 PRESSURE: 10,000 PSI MATED
 TEMPERATURE: -57° C TO +93° C (-70° F TO +200° F)
 VOLTAGE: VARIES ACCORDING TO FACE CONFIGURATION (SEE TABLE)

XSEE -CCR

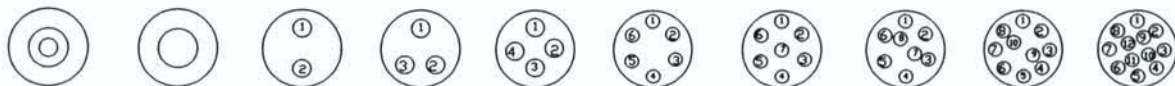


- 1 - XSEE-CCR Body
- 2 - O-Ring - 5-001

NOTES

- 1 BODY: GLASS REINFORCED EPOXY 8/A XS-2748
- 2 CONTACTS: COPPER ALLLOY AND GOLD PLATED PER MIL-G-45204
- 3 SEE XSEE FACE VIEW FOR CONTACT CONFIGURATIONS
- 4 O-RING: BUNA-N, 70 DUROMETER
- 5 MATING CONNECTOR: XSEE-CCP
- 6 SPECIFICATIONS:
 PRESSURE: 10,000 PSI MATED (OPEN FACE OPTIONAL)
 TEMPERATURE: -57° C TO +93° C (-70° F TO +200° F)
 VOLTAGE: VARIES ACCORDING TO FACE CONFIGURATION (SEE TABLE)

- XSEE-C-BCR
- XSEE-1-BCR
- XSEE-2-BCR
- XSEE-3-BCR
- XSEE-4-C
- XSEE-6-BCR
- XSEE-7-BCR
- XSEE-8-BCR
- XSEE-10-BCR
- XSEE-12-BCR
- XSEE-C-CCR
- XSEE-1-CCR
- XSEE-2-CCR
- XSEE-3-CCR
- XSEE-4-CCR
- XSEE-6-CCR
- XSEE-7-CCR
- XSEE-8-CCR
- XSEE-10-CCR
- XSEE-12-CCR



- 1 # 22 AWG 20 Ω COAX 1 # 8 AWG
- 2 # 14 AWG
- 3 # 14 AWG
- 4 # 14 AWG
- 6 # 16 AWG
- 7 # 16 AWG
- 8 # 20 AWG
- 10 # 20 AWG
- 12 # 20 AWG

NOTE: Torque values referenced in this literature assume installation into dry metal threads. Please contact the factory for recommendations.