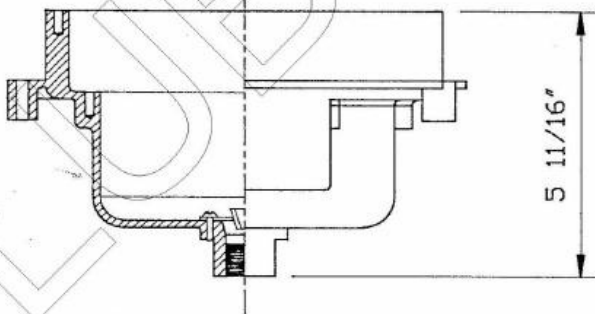
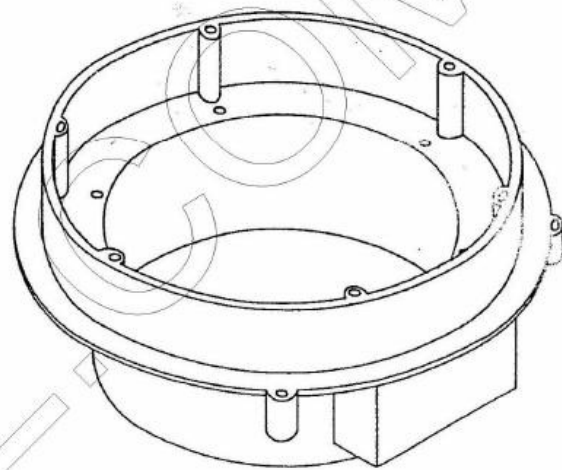


TOP VIEW



PARTIAL SIDE VIEW
W/ SECTION

MATERIAL: BRONZE

AVAILABLE THRU:

Lubell Labs Inc.
 21 N. Stanwood Road
 Columbus, Ohio 43209 USA
<http://www.lubell.com>
 Phone: (614) 235-6740
 Fax: (614) 239-1505
 email: lubell_labs@wowway.com

This data represents the latest knowledge available to us at time of presentation. However KDI Paragon, Inc. and others involved in gathering and presenting this drawing assume no liability for its use.

©1997 KDI Paragon Inc.



1351 Route 55
 LaGrangeville, New York
 12540
 Phone: (845) 452-5500
 Fax: (845) 452-5426

PARAGON AQUATICS

SHEET TITLE:

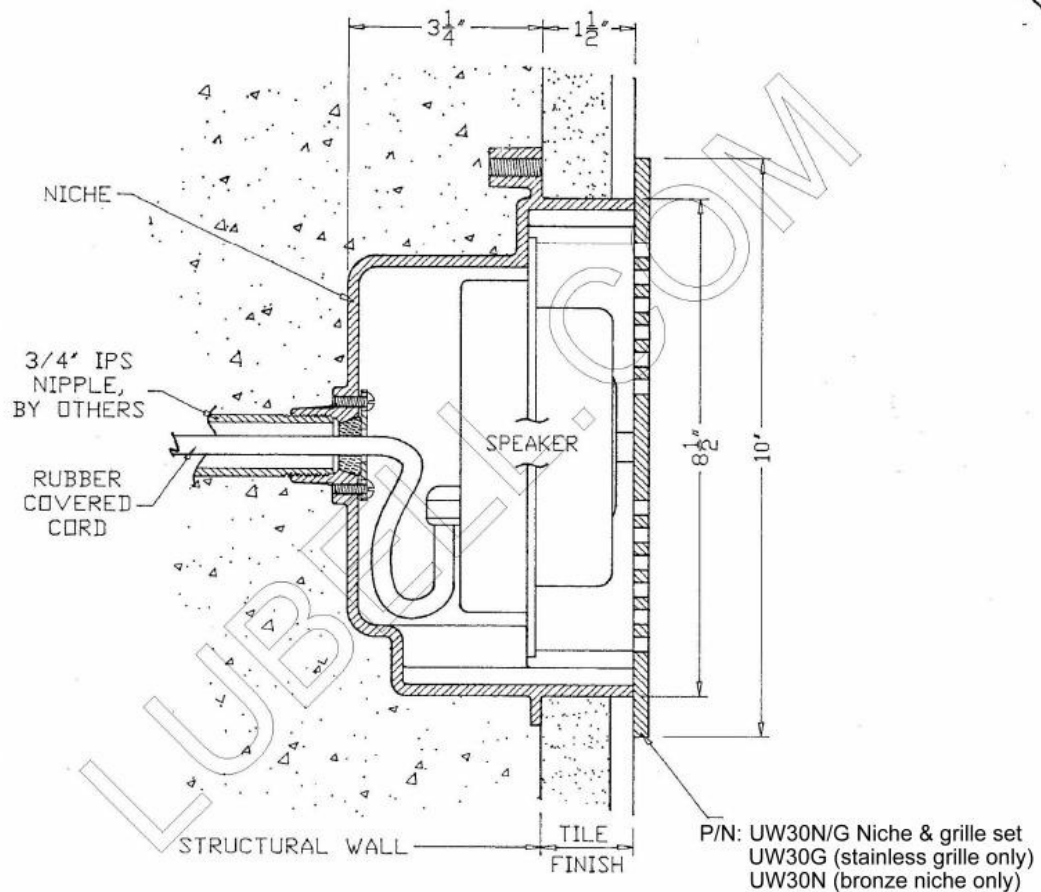
UNDERWATER SPEAKER NICHE

Drawn By: ARM Date: 8/13/96

Check By: MC Date: 7/24/97

Spec. No. 68102

Rev. No. A-1



INSTALLATION INSTRUCTIONS

FOR TILED CONCRETE POOLS:

1. Locate position of speaker on inside wall form.
2. Cut a circular hole 8-1/2" in diameter to clear the outside diameter of the open end of the niche.
3. Drill (3) holes in the form to match the location of the (3) tapped holes in the flange of the housing.
4. Install a 3/4" brass nipple and coupling in the threaded outlet of the niche. When screwed up tight, the distance from the front face of the flange to the end of the coupling must equal the exact width of the structural wall.
5. Attach the speaker housing to the inside wall form by passing screws through the form and engaging the tapped holes in the flange. The housing is to be within the form with the open end protruding.
6. Erect inside wall form and set all reinforcing steel.
7. After the walls are poured and the forms stripped, install 3/4" brass conduit to a junction box where splices will be made to leads of the amplifier.
8. Thread cord through large (3 hole) washer, then through stopper (as shown) **BEFORE** threading cord through conduit.
9. Draw the rubber covered speaker cord through the back of the speaker housing into the junction box.
10. Coil the excess cord in the back of the housing and mount the speaker in the housing.
11. After the slush coats and finished tiles are applied, the grille may be attached.

FOR PLAIN CONCRETE POOLS:

1. Locate the center of the speaker on inside wall form.
2. Lay out and drill (6) 3/16" holes on an 8" bolt circle diameter. (These holes will match the upper tapped holes in the speaker housing).
3. Install a 3/4" brass nipple and coupling in the threaded outlet of the niche. When screwed up tight, the distance from the front of the speaker housing to the end of the coupling must equal the exact width of the structural wall.
4. Attach the speaker housing to the inside wall form by passing screws through the drilled holes and engaging the tapped holes in the speaker housing. The speaker niche is entirely between the wall forms. (The balance of the installation is the same as for tiled concrete pools).